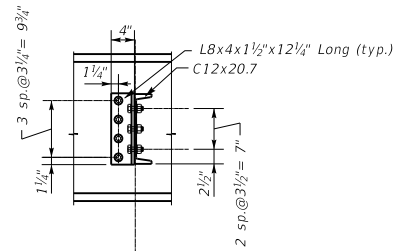
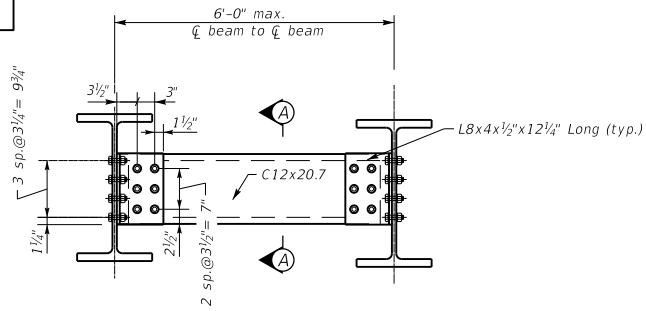


NOTE: Use $\frac{3}{4}$ " \circ Bolts with $\frac{13}{16}$ " \circ Holes Throughout.

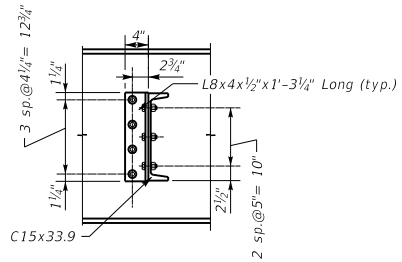


SECTION A-A

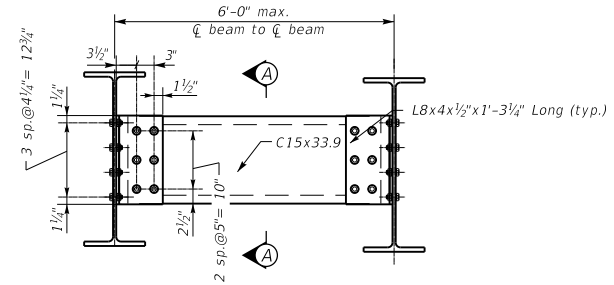


INTERMEDIATE DIAPHRAGM
(for up to 24" beam depth)

NOTE: Use $\frac{3}{4}$ " \circ Bolts with $\frac{13}{16}$ " \circ Holes Throughout.

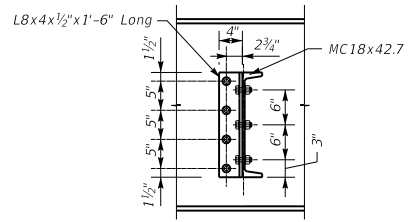


SECTION A-A

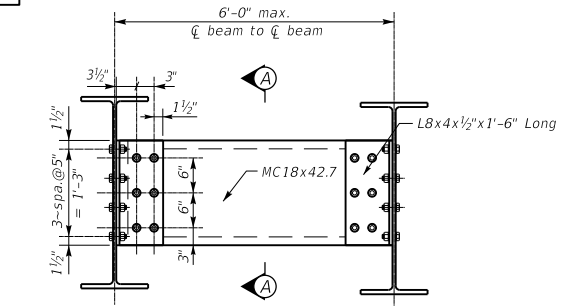


INTERMEDIATE DIAPHRAGM
(for up to 30" beam depth)

NOTE: Use $\frac{3}{4}$ " \circ Bolts with $\frac{13}{16}$ " \circ Holes Throughout.



SECTION A-A



INTERMEDIATE DIAPHRAGM
(for up to 36" beam depth)

| | | |
|---|----------------------|---------------------|
| KENTUCKY DEPARTMENT OF HIGHWAYS | | |
| COMPOSITE STEEL BEAM SUPERSTRUCTURES DIAPHRAGMS CONTINUED | | |
| STANDARD DRAWING NO. BSB-105 | | |
| SUBMITTED <i>Bob Adams</i> <small>DIRECTOR DIVISION OF STRUCTURAL DESIGN</small> | DATE 02-26-20 | |
| APPROVED <i>[Signature]</i> <small>STATE REGISTERED ENGINEER</small> | DATE 02-26-20 | <small>DATE</small> |